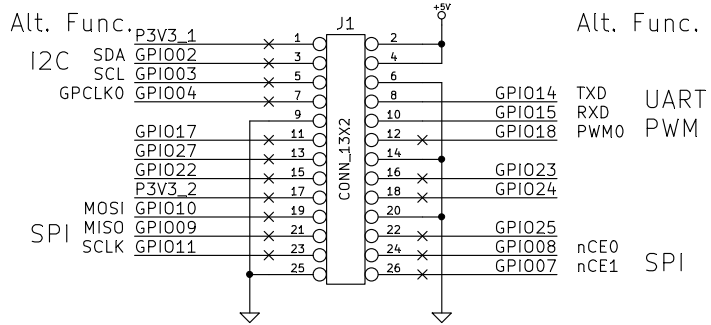
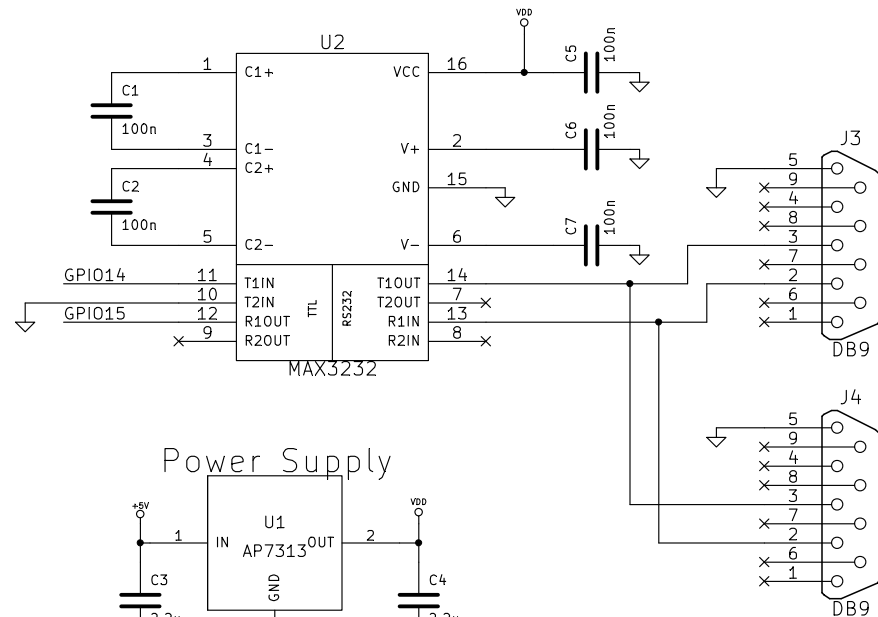


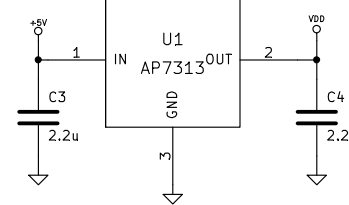
RaspberryPi P1 Connector



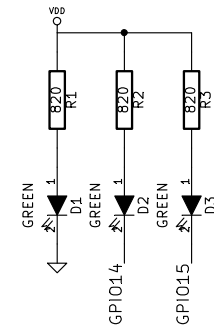
RS232 Interface



Power Supply

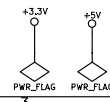


LEDs



Notes:
1. GPIO names use Rev 2 board naming

PWR_FLAGS for sch. editor



Shawn D'Alimonte

File: RasPi_Serial.sch

Sheet: /

Title: Raspberry Pi Serial Interface

Size: A

Date: 8 jun 2013

KiCad E.D.A. eeschema (2012-01-19 BZR 3256)-stable

Rev: 0B

Id: 1/1